

Data Sheet

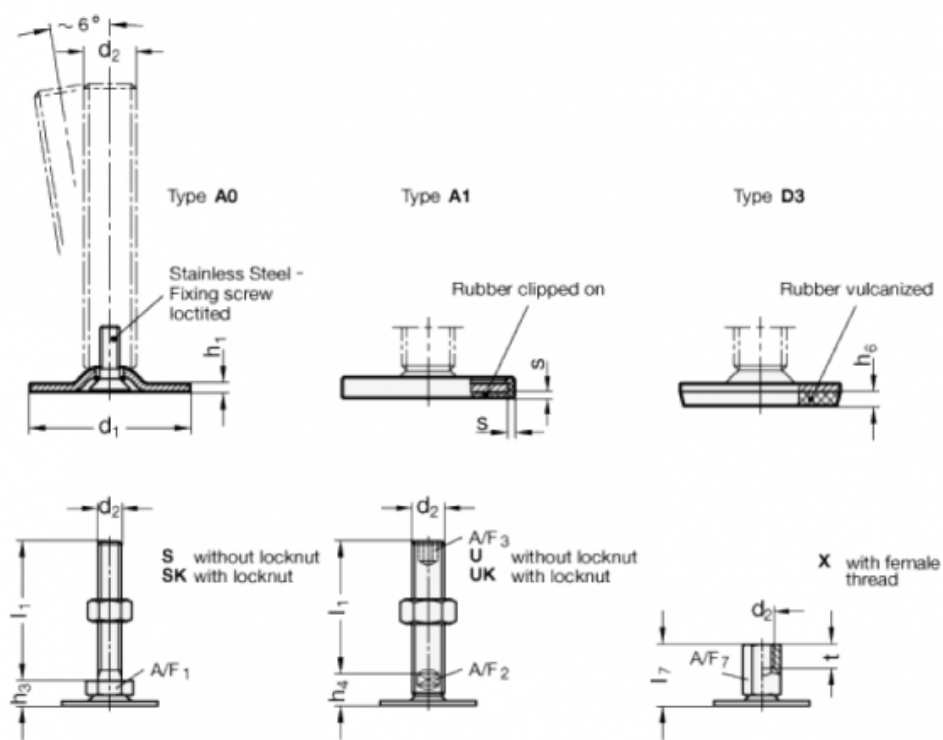


Article number: 204080M16100A3U

Description: E+G levelling foot
GN 40-80-M16-100-A3-U

Note: U Without nut, Hexagon socket at the top, Wrench flat at the bottom

Measures



A/F2 = 12
A/F3 = 8
d1 = 80
d2 = M16
h1 = 3
h4 = 18
h6 = 5
l1 = 100

s =